



REPLY TO  
ATTENTION OF

DEPARTMENT OF THE ARMY

THE INSTITUTE OF HERALDRY  
9325 GUNSTON ROAD, ROOM S112  
FORT BELVOIR, VIRGINIA 22060-5579

AAHS-IHS (840-10a)

JUL 28 2014

MEMORANDUM FOR Commander, HHB, 82d Airborne Division Artillery, D-3952  
Ardennes Road, Fort Bragg, NC 28310-5000

SUBJECT: Beret Flash and Background Trimming for the 82d Airborne Division  
Artillery

1. The beret flash and background trimming redesignated effective 16 October 2014,  
for the 82d Airborne Division Artillery, was:

a. **Originally authorized** for the HHB, 82d Airborne Division Artillery by letter  
DAAG-HDP-A, The Institute of Heraldry, 17 June 1986.

b. **Redesignated** for the 2d Battalion, 321st Field Artillery Regiment by letter JDRP-  
IH-HS, The Institute of Heraldry, 18 May 2007.

2. The descriptions of the designs are as follows:

**BERET FLASH**

A red shield-shaped embroidered item with a semi-circular base, 2 1/4  
inches (5.72 cm) in height and 1 7/8 inches (4.76 cm) in width overall,  
edged with a 1/8 inch (.32 cm) red border.

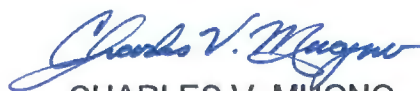
**BACKGROUND TRIMMING**

A red oval-shaped embroidered item 1 3/8 inches (3.49 cm) in height and  
2 1/4 inches (5.72 cm) in width overall, edged with a 1/8 inch (.32 cm) red  
border.

**CABLE NUMBERS OF COLORS**

Scarlet #67111

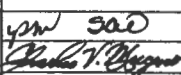
3. This authorization does not grant exclusive use of the above colors and pattern  
design for the 82d Airborne Division Artillery.

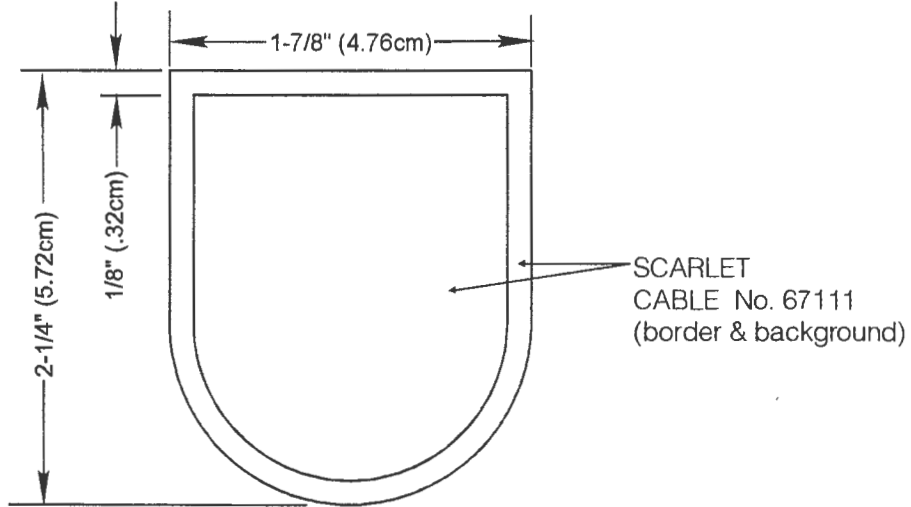
  
CHARLES V. MUGNO  
Director

CF: CMH

Encl 1

**REVISIONS**

LTR	DESCRIPTION	DATE	APPROVED
A	<b>REDESIGNATED: FORMERLY 2d BATTALION, 321ST FIELD ARTILLERY REGIMENT.</b>	21 JUL 2014	 CHARLES V. MUGNO DIRECTOR

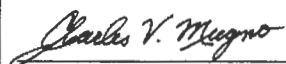


**DESIGNED FOR OVEREDGE STITCHING**

FORMERLY: HHB, 82D ABN. DIV. ARTY.  
SUPERCEDES TIOH DWG. No. A-6-13 DTD. 17 JUNE 1986

UNLESS OTHERWISE  
SPECIFIED DIMENSIONS  
ARE IN INCHES  
TOLERANCES ON  
FRACTIONS DECIMALS  
ANGLES

MATERIALS:  
TO BE MANUFACTURED  
IN ACCORDANCE WITH  
MIL-DTL-14652

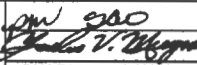
EXAMINED	<i>SWH</i>	
CHECKED	pm	
PREPARED	EA	
APPROVED	 CHARLES V. MUGNO DIRECTOR	

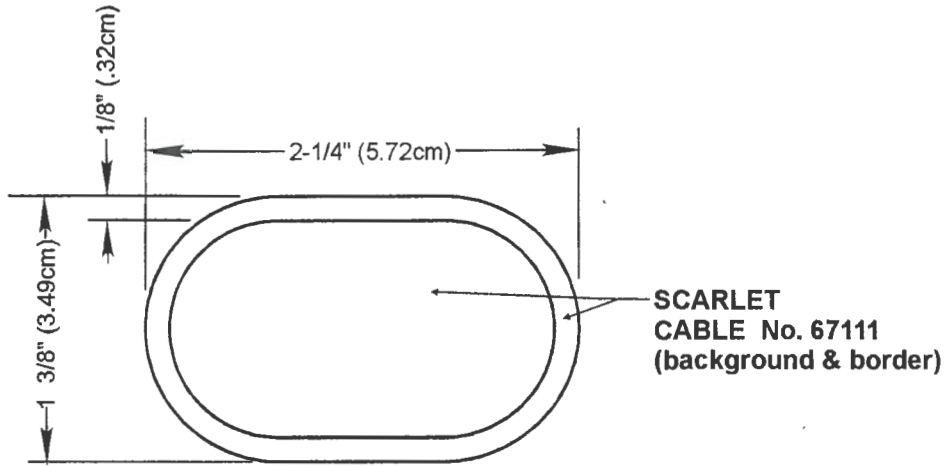
**THE INSTITUTE OF HERALDRY, DEPARTMENT OF THE ARMY**  
9325 GUNSTON RD, RM S-112 FORT BELVOIR, VA 22060-5579

BERET FLASH FOR  
**82D AIRBORNE DIVISION  
ARTILLERY**

SIZE	CONTROL IDENT. NO	A-4-13
<b>A</b>	<b>22571</b>	
SCALE	FULL	DATE
		<b>11 MAY 2007</b>

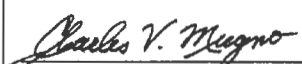
**REVISIONS**

LTR	DESCRIPTION	DATE	APPROVED
<b>A</b>	<b>REDESIGNATED: FORMERLY 2d BATTALION, 321ST FIELD ARTILLERY REGIMENT.</b>	<b>21 JUL 2014</b>	 <b>CHARLES V. MUGNO</b> DIRECTOR



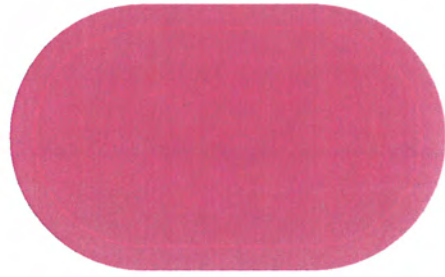
**DESIGNED FOR OVEREDGE STITCHING**

FORMERLY: HHB, 82D ABN. DIV. ARTY.  
SUPERCEDES TIOH DWG. No. A-6-10 DTD. 17 JUNE 1986

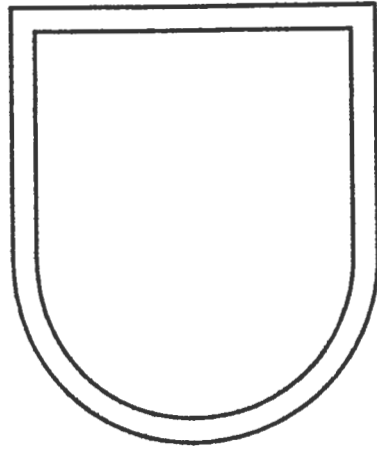
UNLESS OTHERWISE SPECIFIED DIMENSIONS ARE IN INCHES TOLERANCES ON FRACTIONS DECIMALS ANGLES	EXAMINED	<i>SW/H</i>	THE INSTITUTE OF HERALDRY, DEPARTMENT OF THE ARMY 9325 GUNSTON RD, RM S-112 FORT BELVOIR, VA 22060-5579  BACKGROUND TRIMMING FOR <b>82D AIRBORNE DIVISION ARTILLERY</b>
	CHECKED	pm	
MATERIALS: TO BE MANUFACTURED IN ACCORDANCE WITH MIL-DTL-14652	PREPARED	EA	
APPROVED	 CHARLES V. MUGNO DIRECTOR		
SIZE		CONTROL IDENT. NO	<b>A-6-10</b>
<b>A</b>		<b>22571</b>	
SCALE		DATE	<b>11 MAY 2007</b>
FULL			



**Beret Flash for  
82d Airborne Division Artillery**

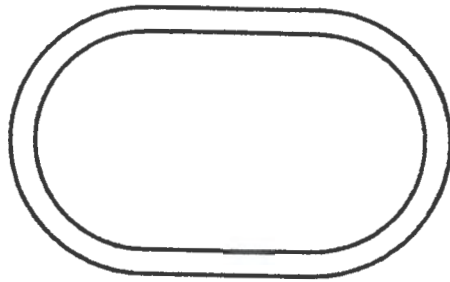


**Background Trimming for  
82d Airborne Division Artillery**



**Beret Flash for  
82d Airborne Division Artillery**

Encl 6



**Background Trimming for  
82d Airborne Division Artillery**

Enci 7